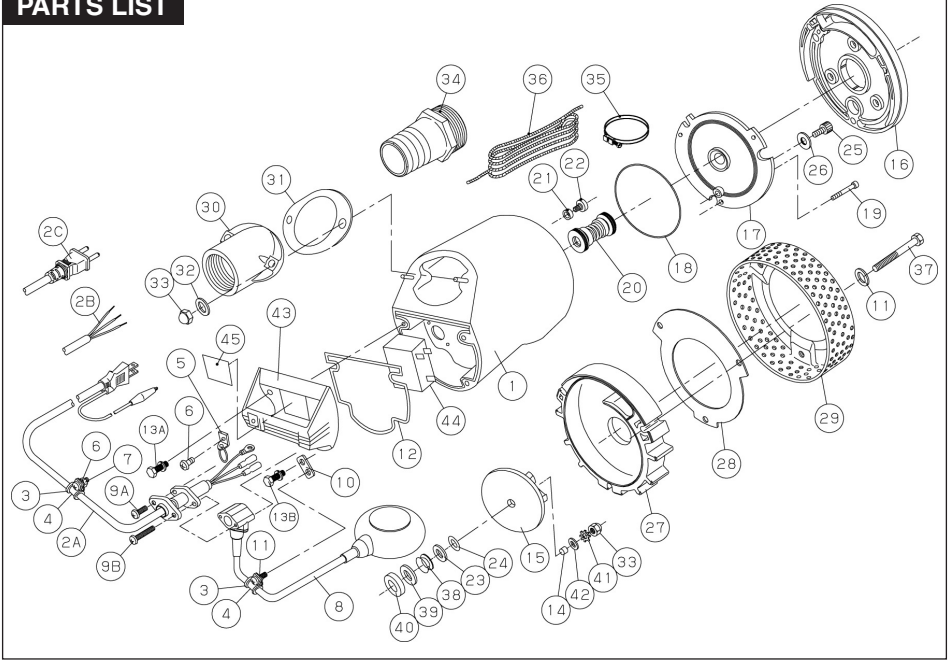


PARTS LIST



PX-55011-BAB / PX-55022-BAA/BAB/BAC / PX-55022A-BAA

No.	PARTS CODE	PARTS NAME	QTY
1	0438123	PX-5011 MOTOR ASSY 110V	1
	0438120	PX-5022 MOTOR ASSY 220V	1
	0438151	PX-5022 CE MOTOR ASSY 220V	1
2A	0430289	POWER CORD ASSY 5m	1
2B	0438102	CE POWER CORD ASSY 10m	1
2C	0438142	EU POWER CORD ASSY 10m	1
3	0390031	CORD SUPPORTER	1
4	0260018	CORD BAND	1
5	0438066	CHAIN ASSY	1
6	703305100	⊕SCREW M5x10	2
7	827305005	HEXAGON NUT M5	1
8	0438155	FLOAT ASSY	1
9A	703305104	⊕SCREW M5x14	2
9B	703305110	⊕SCREW(55022A) M5x50	2
10	0390330	SUPPORT PLATE	1
11	707805046	⊕SCREW M5x12	1
12	0430284	HEAD PACKING	1
13A	743605031	HEXAGON BOLT M6x18	4
	743605031	HEXAGON BOLT(55022A) M6x18	3
13B	743605032	HEXAGON BOLT(55022A) M6x20	1
14	0430441	IMPELLER FIXING BUSH	1
15	0430285	IMPELLER	1
16	0430273	BACK LINER	1
17	0430271	FRONT COVER	1
18	889955125	O-RING G125	1
19	734505037	HEXAGON SOCKET BOLT M5x20	3
20	0390003	MECHANICAL SEAL	1
21	0340142	SEAL RING	1
22	0340153	⊕BIND SCREW M6x8	1

No.	PARTS CODE	PARTS NAME	QTY
23	0430300	IMPELLER WASHER	1
24	0390025	IMPELLER ADJUSTING WASHER	2
25	0390037	SOCKET BOLT M10x12	1
26	854255010	SEAL WASHER ϕ 10	1
27	0430274	CASING	1
28	0430269	SUCTION	1
29	0430270	STRAINER	1
30	0430305	DELIVERY FLANGE G2	1
31	0430283	DELIVERY PACKING	1
32	846005008	WASHER ϕ 8	5
33	835305008	HEXAGON CAP NUT M8	3
34	0390213	HOSE NIPPLE ϕ 50	1
35	940019060	HOSE BAND ϕ 60	1
36	0398020	PS ROPE 5M	1
37	735705162	HEXAGON BOLT M8x70	3
38	895154014	OIL SEAL VR14A	1
39	0430301	THRUST WASHER	1
40	0430299	THRUST PACKING	1
41	845305008	TOOTHED WASHER 8B	1
42	846505008	WASHER ϕ 8-1.6	1
43	0430268	HANDLE	1
44	0430392	110V CONDENSER(55011) 32 μ F 260VAC	1
	0430393	220V CONDENSER(55022) 8 μ F 480VAC	1
	0430344	PX-55011-BAB NAME PLATE	1
45	0430317	PX-55022-BAA NAME PLATE	1
	0430336	PX-55022-BAB NAME PLATE	1
	0430479	PX-55022-BAC NAME PLATE	1
	0430558	PX-55022A-BAA NAME PLATE	1
46	0390383	PARAFFIN OIL 230CC	1